

5000 Meters RF Wireless Receiver

Feature:

Wireless control, easy to install.

Waterproof case with waterproof connectors. The receiver can be installed outdoors.

High power, each relay output can work at maximum current 30A.

Super long range, with a transmitter to form a complete set, the working distance can reach 5000m in an open ground.

Feedback function: can let the user know whether he/she had already connect the transmitter and receiver successfully in such a long distance.

Two ways working mode, when the receiver gets the signal of transmitter, it will immediately send a return signal to the transmitter.

External magnetic sucker antenna with 5meters cable, the antenna can be installed outside the building to get better working distance.

With manual terminals, can connect two manual switches or sensors to control the receiver.

America imported chips, which can ensure reliability and assure the high quality of the products.

DC power output, can be used in home automation, such as security system, remote control lights, motors, Doors / Locks / Windows / Blinds / Cars, and various equipment.

It also can be used in agriculture and industry automation, such as long range and high power remote control devices.

Wireless remote control products on land, water and air, especially in a long distance, such as farm, pasture, offshore unmanned operation, field call, remote security alarm, unmanned aerial vehicle, etc.

You can turn on/ off the receiver with transmitter (remote control) from any place within a reliable distance; the wireless RF signal can pass through walls, floors and doors.

With characteristics of reverse power protection and over current protection

Reliable control: The transmitter (Encoding) and the receiver (Decoding) use the custom code.

One/several transmitters can control one/several receivers simultaneously.

You can use two or more units in the same place.

Receiver Parameters:

Model No. S2PXW-DC06-ANT2 / S2PXW-DC09-ANT2 / S2PXW-DC12-ANT2 / S2PXW-DC24-ANT2

Power Supply (Operating Voltage): DC6V (S2PXW-DC06-ANT2), DC9V±1V (S2PXW-DC09-ANT2), DC12V±1V (S2PXW-DC12-ANT2), DC24V±2V (S2PXW-DC24-ANT2)

Output: DC6V (S2PXW-DC06-ANT2), DC9V±1V (S2PXW-DC09-ANT2), DC12V±1V (S2PXW-DC12-ANT2), DC24V±2V (S2PXW-DC24-ANT2)

Working Frequency: 433.92MHz

Channel: 2 CH

Control Modes: Toggle, Momentary, Latched

Maximum Working Current: 30A / each channel

Static Current: ≤6mA

PCB size: 140mm x 73mm x 18mm

Case size: 192mm x 100mm x 45mm

Work with custom code transmitters.

Notice:

The receiver can only pair six different model transmitters, model CC-1, CC-2 CC-4, CCW-1, CCW-2 or CCW-4. You can use one transmitter CC-4 with four buttons to control two receivers.

External Magnetic Sucker Antenna:

Frequency Range: 300~450MHz

Impedance: 50Ω

Antenna Length: 15cm

Cable Length: 5meters, we also can offer longer cable, such as 10meters or 30meters.

Weight: 85g

Anti-interference, waterproof, shielded wire set inside

Magnetic stand design for easy to install

With SMA connector

Usage (with the transmitter):

Connect DC power to terminals "+" and "-", and connect lamp 1 to terminals "A" and "B" of OUT1, and connect lamp 2 to terminals "A" and "B" of OUT2.

Setting different control modes (We have set the receiver as Toggle control mode before delivery. If you want to use other control modes, do as following operation):

Setting control mode Toggle (with transmitter CC-2): Turn on the first bit of the dip switch.

Control mode Toggle: Press -> On; Press again -> Off.

Press the big button of the transmitter: Terminal A and B of OUT1 output DC power.

Press the big button again: Terminal A and B of OUT1 stop outputting.

Press the small button of the transmitter: Terminal A and B of OUT2 output DC power.

Press the small button again: Terminal A and B of OUT2 stop outputting.

Setting control mode Momentary (with transmitter CC-2): Turn on the first and the second bits of the dip switch.

Control mode Momentary: Press and hold -> On; Release -> Off.

Press and hold the big button of the transmitter: Terminal A and B of OUT1 output DC power.

Release the big button: Terminal A and B of OUT1 stop outputting.

Press and hold the small button of the transmitter: Terminal A and B of OUT2 output DC power.

Release the small button: Terminal A and B of OUT2 stop outputting.

Setting control mode Latched (with transmitter CC-4): Turn on the second bit of the dip switch

Control mode Latched: Press -> On, other relays Off; Press another button -> Off.

Press the button A of the transmitter: Terminal A and B of OUT1 output DC power, and Terminal A and B of OUT2 no output.

Press the button B of the transmitter: Terminal A and B of OUT2 output DC power, and Terminal A and B of OUT1 no output.

Press the button C of the transmitter: Terminal A and B of OUT1 and OUT2 stop outputting.

The manual terminals:

You can connect two manual switches to control the relay outputs of this receiver.

When connect terminals 1 and 3, Terminal A and B of OUT1 output DC power. And when disconnect terminals 1 and 3, Terminal A and B of OUT1 stop outputting.

When connect terminals 2 and 3, Terminal A and B of OUT2 output DC power. And when disconnect terminals 2 and 3, Terminal A and B of OUT2 stop outputting.

Feedback function:

If you want to have a feedback function (with transmitter CC-2): Turn on the third bit of the dip switch.

When the receiver gets the signal of transmitter, it will immediately send a return signal to the transmitter. When the transmitter receive the feedback signal of the receiver, the transmitter will exude a buzzing sound like "D~" which means it receive the feedback signal successfully.

How to pair the transmitter to the receiver:

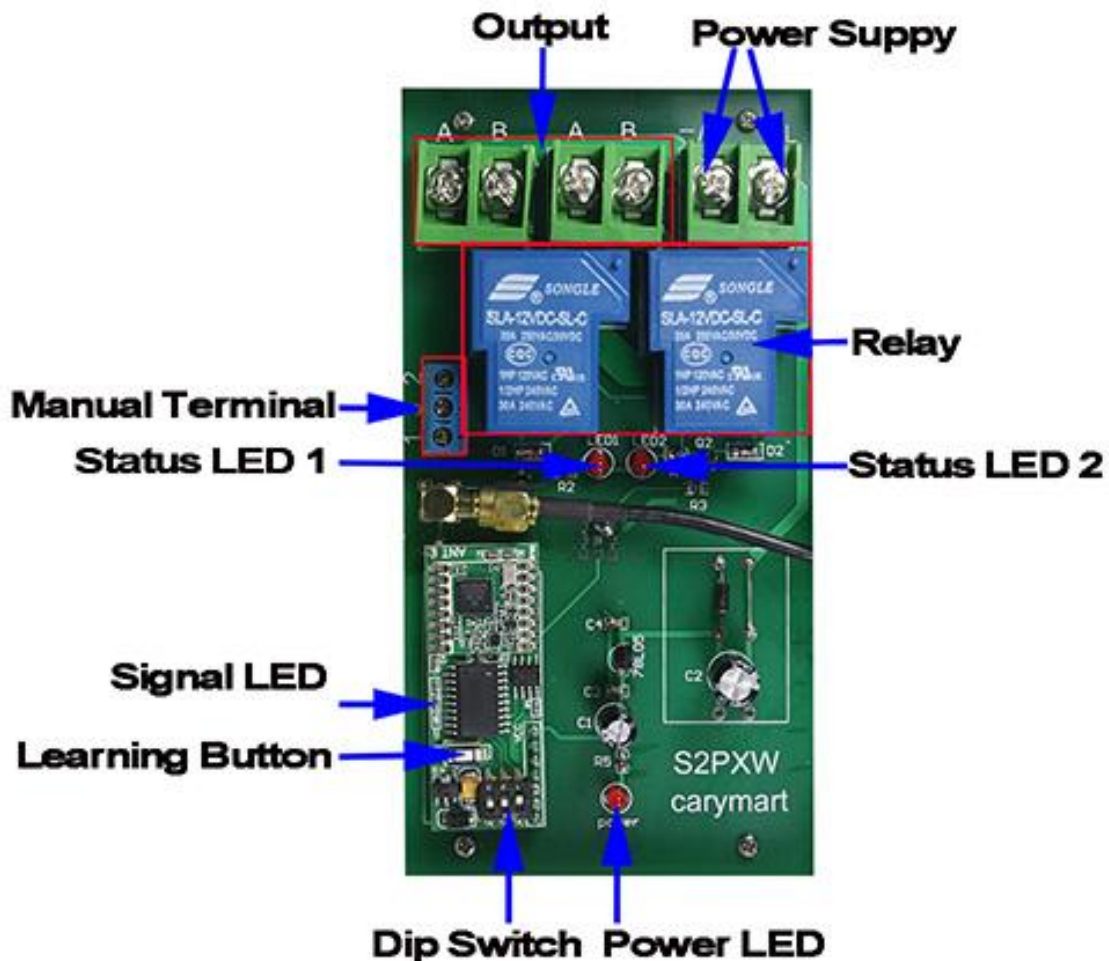
1) Press button K1 of receiver for 1- 2 seconds; signal LED on the receiver is on. The receiver enters into status of LEARNING.

2) Press any one button on remote control. If signal LED flashes twice, it means learning is successful.

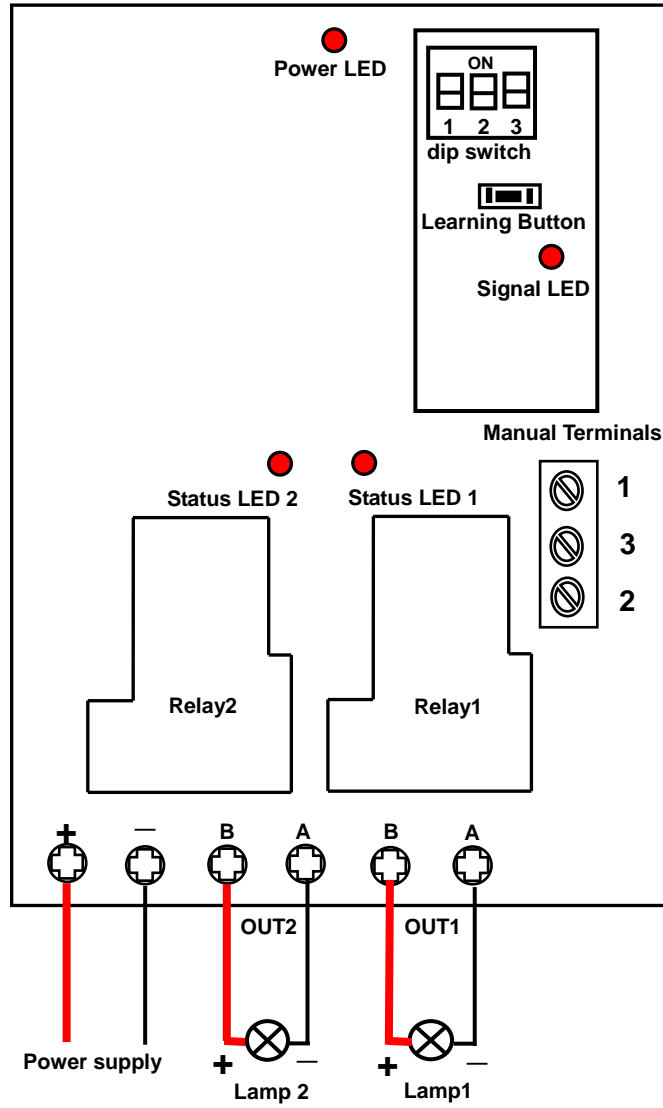
Delete all transmitters:

We have learned remote control to the receiver. If you don't want the receiver to work with the remote control, you can delete all codes of remote controls, which are stored in the receiver.

Operation: Press and hold the button of receiver until signal LED flashes three times. That means all stored codes have been deleted successfully.



Control DC Equipment



2 Button 5000M Longest Distance Two-way RF Remote Control / Transmitter

Feature:

Longest distance, two-way model with feedback function.

With a receiver to form a complete set, the distance can reach 5000m which is the longest distance of the transmitter.

Two-way model: when the receiver gets the signal of transmitter, it will immediately send a return signal to the transmitter.

When the transmitter receives the feedback signal of receiver, it will exude a buzzing sound.

Feedback function: can let the user know whether he/she had already connect the transmitter and receiver successfully in such a long distance.

Use Spread Spectrum Communication Technology that can highly improve anti-interference capacity,

America imported chips for ensuring reliability and assuring the high quality of the products.

Product Description:

Model No.: 0021061 (CC-2)

Shell Color: Deep Blue

Channel/Button: 2

Button Symbol: big button, small button

Operating Voltage: 9V (1 x 6F22 -9V battery, can be used for 12 months)

Working Current: 65mA (when the transmitter is transmitting the signal), 16mA(when the transmitter is receiving the signal).

Standby Current: 5 μ A

Operating Frequency: 433.92Mhz

Encoding Type: custom code

Transmitting Distance: 5000m / 16000ft (theoretically)

The distance of 5000m is a theoretical data, it shall be operated in an open ground, no barriers, no any interference. But in the practice, it will be hindered by trees, walls or other constructions, and will be exposed to some interference by other signals. Therefore, the actual distance may or may not reach 5000m.

Modulation Mode: FSK+LORA

Feedback indication: buzzing sound

Operating Temperature: -10 ° C to +70 ° C

Unit Size: 135mm x 42mm x 25mm

Weight: 90g

Uses: Household control products, agricultural control products and industrial control products. Wireless remote control products on land, water and air, especially in a long distance, such as farm, pasture, offshore unmanned operation, field call, remote security alarm.

Notice:

This transmitter can be used only with 5000m series RF receivers, like model S1PUW-DC12-ANT2, S2PUW-DC12-ANT2, S1PUW-AC220-ANT2, S2PUW-AC220-ANT2, S4PUW-DC12-ANT2, S4PUW-AC220-ANT2, ect.

How to set the two-way model (with the receiver):

- 1) If you want to have a feedback function, do as followings:
- 2) Connect "J1" on the transmitter circuit board.
- 3) Press the button of the transmitter, the transmitter will send a signal to the receiver, when the receiver gets the signal, it will immediately send a return signal to the transmitter.
- 4) When you release the button on the transmitter, it will immediately receive the feedback signal of the receiver within 1 second, if the transmitter exuded a buzzing sound like "D~" which means it receive the feedback signal successfully.
- 5) After 1 second, the transmitter will turn back to standby.
- 6) If you don't want to have such function: disconnect "J1" on the transmitter circuit board.
- 7) Please turn off the power supply if you don't use the transmitter for a long time.

