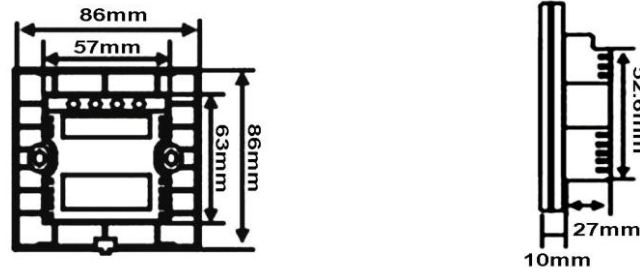


1/2/3 Gang Crystal Glass Panel Touch Wall Light Switch With LED Indicator



Package Include:

- 1 x Touch Wall Light Switch
- 2 x Screws
- 1 x User Manual

Product Specification:

- Dimension: 86mm*86mm*37mm
- Material: Crystal Glass Panel
- Operating Voltage: AC110V~250V/50Hz/60Hz
- Maximum Current for Each Gang: 5A
- Minimum Load Power for Each Gang: 15W
- Maximum Load Power for Each Gang: 1000W/220V or 600W/120V
- Self Consuming Power: Less than 0.1mW
- Operating Environment: -30~70 Centigrade; Less than 95%RH
- Lifelong: 100,000 Times of Operation

Installation is as same as normal light switch, so does not require Negative line; replace traditional wall switch completely and smoothly. Using with all types of lights including Incandescent lamps, Halogen lamps, Fluorescent lamps, Energy saving lamps.

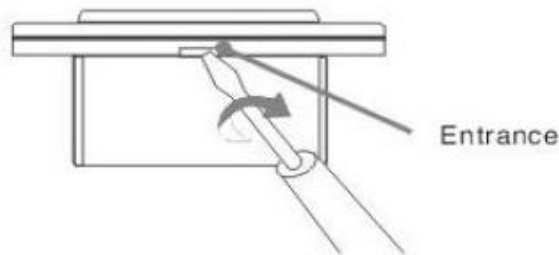
Note: The switch is not suitable for LED lamps or inductive ballast fluorescent, or any lamps with load power lower than 15W.

Switch Operation:

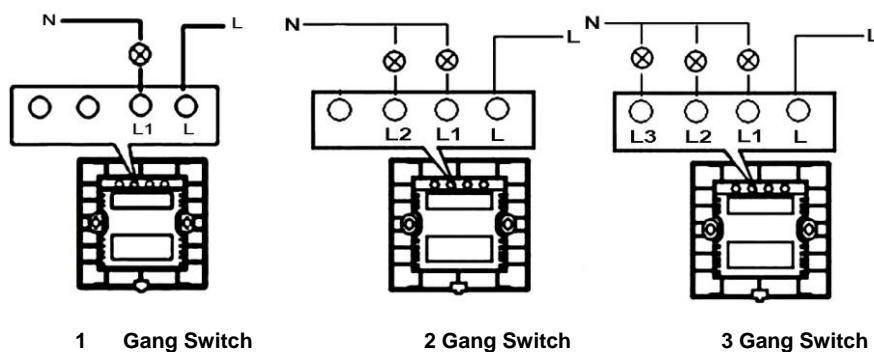
Touch the control icon on the switch surface, the LED indicator turns red, which means turning on the lamp; touch the icon again, the lamp turns off.

Installation:

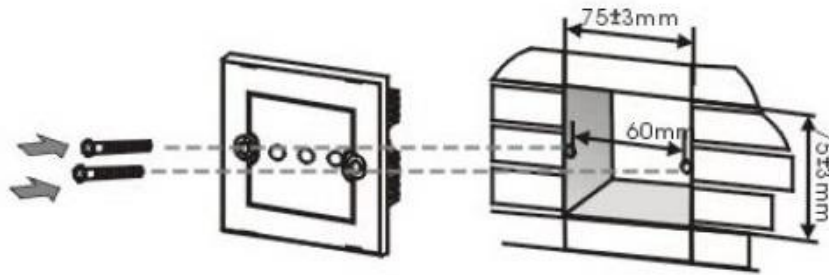
1. Shut off the power to the circuit and remove the switch cover with screwdriver.



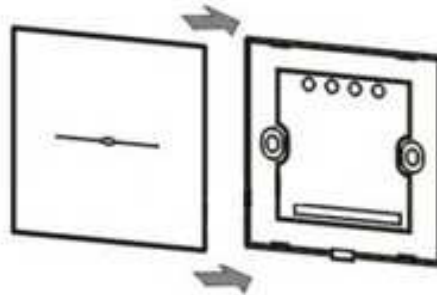
2. Connect the wires to the screw terminals.



3. Fix tightly the switch to internal box with two screws.



4. Fix the cover.



Warning:

1. Please turn off power before installation and dismantlement, especially when fixing the switch cover.
2. After turning on power, you have to wait about 30 seconds before operating the switch.
3. Doing the Installation and dismantlement must be professional.
4. Check the circle condition before installation.
5. Pay an attention to the lamp introduction, since some lamps have special condition.
6. Dismantle the product to avoid ruin as the circuit is testing.
7. Avoid shock, wateriness, hot, and knocking when installing and using the product.
8. Forbid wet cloth, chemistry and scour water when cleaning.
9. Over loading is forbidden.
10. Circuitry which the products installed in should be set properly.
11. Do not use metal box for installation, it maybe shorten the distance of remote control or cause electric shock.
12. Mount box should be standard "86" style and the dimensions at least 75mmx75mmx35mm.