

Sound Controlled Delay Switch for Lighting

Package:

- 1 x Switch (Model: 0030071)
- 2 x Screws
- 1 x User manual

Feature:

- Can control lamps, fans or other home appliances with the voltage of AC 180~250V.
- Only Live wire is connected to this switch, without Neutral wire!
- Suitable for Incandescent lamps, halogen lamps, fluorescent lamps and energy saving lamps.
- During the day or the light is stronger, the switch does not work. When the light is dimmed and there are sounds around, the switch will be turned ON. After 60±10 seconds, the switch will be turned OFF automatically.
- Applied for corridor, bathroom, storage, garage and other public places.
- **Note: Cannot work in LED lamps.**

Specification:

- Model No.: 0030071
- Working Voltage: AC 180~250V (50/60Hz)
- Size: 50mm x 66mm x 30mm
- Delay time: 60±10 seconds
- Adjustable light sensitivity range: 5~500 LUX
- Environment temperature: -20°C ~ 50°C (-4°F ~ 122°F)
- Static Current: 50uA (<0.016W)
- Maximum Power: 100W/220V

Installation:

- When installing it, choose the favorable locations according to the environment. Using screws to fix the bracket on the wall and put the switch on the bracket, then adjust the switch to the suitable angle.
- Unipolar power supply; two wires connection (same as ordinary wall switch)
- Adjust the light sensitivity range: Turn clockwise, reduce the sensitivity (non sensitive to strong light); Turn anti-clockwise, increase the sensitivity. Turn anti-clockwise to the end; the switch can work all day along.

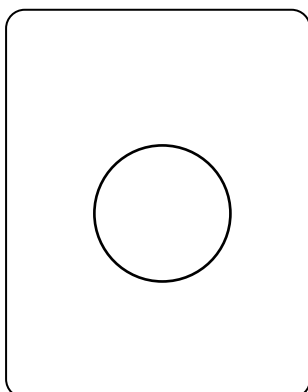
Usage:

- Connect the live wire to terminal L, and connect the terminal Load to the lamp. Turn on the power. After 1 minute of initialization, the switch enters into the state of automatic operation.
- When the light is dimmed, and there are sounds around, the switch will be turned ON. After 60±10 seconds, the switch will be turned OFF automatically.

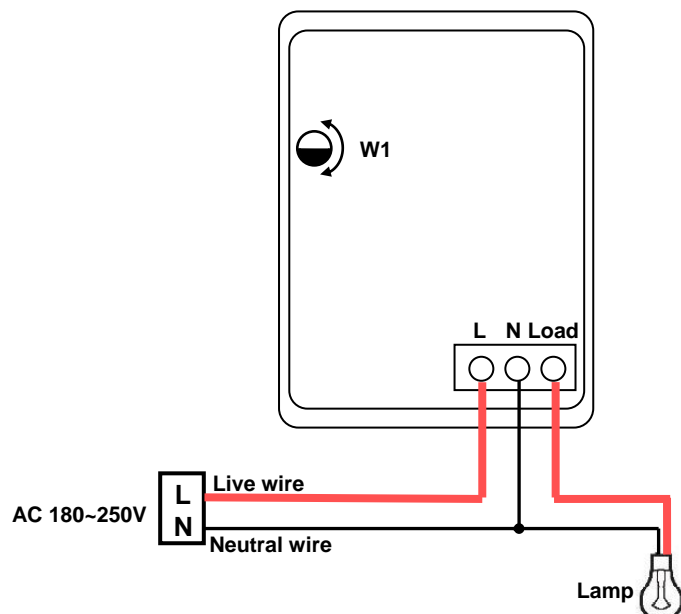
Warning:

- Don't expose the switch to the lighting, sunshine or near the computer.
- Don't expose the switch in an environment of strong wind, steam, smog or high temperature.
- When adjusting light sensitivity range, make sure the power is cut off. Keep in mind to adjust them gently.
- The adjustable resistance can only be turned 180 degrees, beyond that may break or damage the device.

Front view



Back view



Notice:

W1: Adjustable light sensitivity range