

Automatic Infrared Movement Detection Switch Infrared Motion Sensor Switch for Lighting

Package:

- 1 x Infrared Switch (Model: 0030067)
- 2 x Screws
- 2 x Brackets
- 1 x User manual

Feature:

- Infrared movement detection.
- Can control lamps, fans or other home appliances with the voltage of AC 100~250V.
- Suitable for Incandescent lamps, halogen lamps, fluorescent lamps and energy saving lamps.
- Applied for corridor, bathroom, storage, garage and other public places.
- Can accurately detect any moving objects (e.g. human body) within the detection range. It has higher sensitivity and broader detection range than others.
- Completely automatic induction: once a person enters into the detection range, the switch will be turned ON. While the person is out of the detection range, it will prolong automatically several seconds of the retention time then be switched OFF.
- Triggering method: Repeated triggering, which means that it will take the last triggering time as the starting point, within the retention time, if there's still human beings activities within it's detection zone, the switch will be maintained in the state ON until the person's leave. Then afterwards, the retention time will be initiated.
- **Cannot be used for LED lamps.**

Specification:

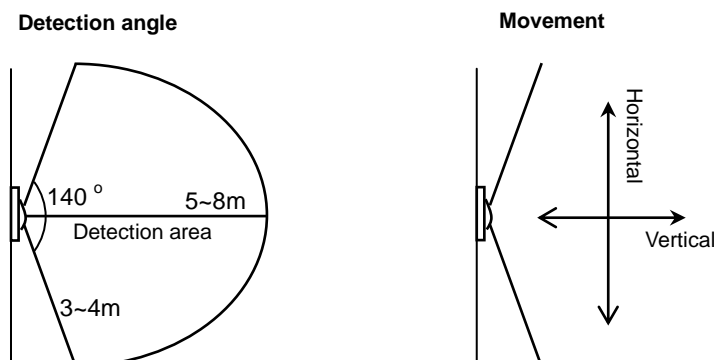
- Model No.: 0030067
- Working Voltage: AC 100~250V (50/60Hz)
- Size: 50mm x 66mm x 35mm
- Detection distance: 8 m
- Detection range: Fan-shaped angle 140°
- Adjustable delay time: 15~300 seconds
- Adjustable light sensitivity range: 5~500 LUX
- Environment temperature: -20°C ~ 50°C (-4°F ~ 122°F)
- Static Current: 50uA (<0.016W)
- Maximum Power: 1000W/220V, 500W/110V

Installation:

- When installing it, choose the favorable locations according to the environment. The lens should face the designated locations. Using screws to fix the bracket on the wall and put the switch on the bracket, then adjust the switch to the suitable angle.
- The height of installation should be about 1.5 meters above the ground. (The height to ceiling: 3~5 meters)
- Bipolar power supply; three wires connection (requiring neutral line)
- Adjust the retention time: Turn clockwise, shorten the retention time; Turn anti-clockwise, prolong the retention time.
- Adjust the light sensitivity range: Turn clockwise, reduce the sensitivity (non sensitive to strong light); Turn anti-clockwise, increase the sensitivity. Turn anti-clockwise to the end; the switch can work all day along.

Warning:

- Don't expose the switch to the lighting, sunshine or near the computer.
- Don't expose the switch in an environment of strong wind, steam, smog or high temperature.
- Don't put any barriers in the detection area.
- When adjusting the retention time and light sensitivity range, make sure the power is cut off. Keep in mind to adjust them gently.



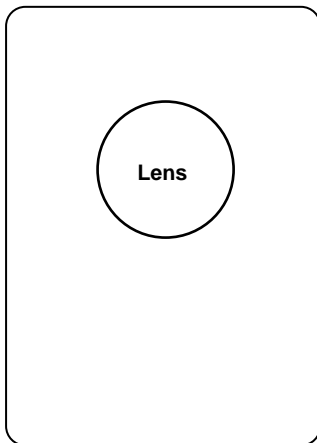
Usage:

- Connect the live wire to terminal L, and connect the neutral wire to terminal N, then connect the terminal Load to the appliances, such as a lamp or a motor. Turn on the power. After 1 minute of initialization, the switch enters into the state of automatic detection. During the initialization, the switch will detect automatically 0~3 times.
- Within the area of detection, the switch will be triggered by any movement and will be turned on.

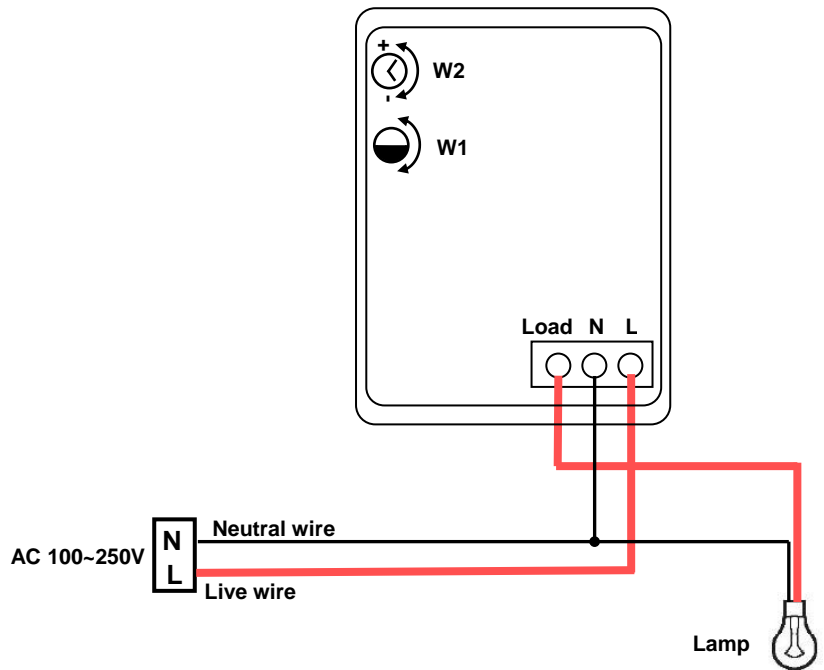
Notice: When the human body approaches the switch from its side in a horizontal movement, the sensitivity will reach the highest level,

while in a vertical movement, the lowest level. The adjustable resistance can only be turned 180 degrees, beyond that may break or damage the device.

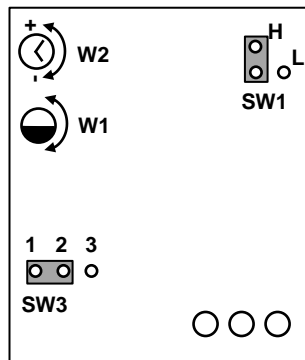
Front view



Back view



PCB



Notice:

W1: Adjustable light sensitivity range
W2: Adjustable retention time

SW1: Triggering method.

Connect H: Repeated triggering.
Connect L: Not repeated triggering.
(Default setting: Connect H)

SW3: Loading mode:

Connect 1 and 2: general setting.
Connect 2 and 3: only for rectifiers.
(Default setting: Connect 1 and 2)