

RF Wireless Remote Control DC Linear Actuator Controller / Transmitter & Receiver

Package Include:

1 x Receiver: S1FM-DC09 / S1FM-DC12 / S1FM-DC24 (Inversion Control Mode)
1 x Transmitter: CV-2-2
1 x User manual

Feature:

Wireless control, easy to install

Control motors of rolling blinds / doors, projection screens, awnings, pumps, winches or other home appliances and small industrial equipments. You can rotate the motor in the positive or reversal direction with the transmitter (remote control) from any place within a reliable distance; the wireless signal can pass through walls, floors and doors.

With characteristics of reverse power protection and over current protection

Audible / visual indication

Use microcontroller model of EM78P156, an 8-bit microprocessor designed and developed with low-power and high-speed CMOS technology.

Use ULN2003 to drive relay, with strong anti-interference.

Reliable control: The transmitter (Encoding) and the receiver (Decoding) use an 8-bit code.

One / several transmitters can control one/ several receivers simultaneously.

If you use two or more receivers in the same place, you can set them with different codes.

Transmitting Frequency: 315MHz / 433MHz

Receiver:

Model No.: S1FM-DC12 / S1FM-DC24

Control Mode: Inversion (Press and hold button ▲ -> Positive rotation; Press and hold button ▼ -> Reversal rotation)

Coding Type: Fixed code

Coding Setting: By learning

Power Supply (Operating Voltage): DC12V±1V (S1FM-DC12), DC24V±1V (S1FM-DC24)

PCB Size: 94mm x 56mm x 24mm

Case Size: 100mm x 60.5mm x 30mm

Maximum Current: 10A

Transmitter:

Model No.: 0021050 (CV-2-2)

Shell Color: White

Channel/Button: 2

Button Symbol: ▲, ▼

Operating Voltage: 12V (1 x 23A -12V battery, can be used for 12 months)

Operating Current: 15mA

Operating Frequency: 315Mhz / 433Mhz

Encoding Chip: LX2260A-R4

Encoding Type: Fixed code by soldering, up to 6561 codes

Transmitting Distance: 500m / 1500ft (theoretically)

The distance of 500m is a theoretical data, it shall be operated in an open ground, no barriers, no any interference. But in the practice, it will be hindered by trees, walls or other constructions, and will be exposed to some interference by other signals. Therefore, the actual distance may or may not reach 500m.

If you stretches the telescopic antenna, it can have a further working range, which is twice as much as it used to be.

Modulation Mode: ASK

Operating Temperature: -20 ° C to +70 ° C

Unit Size: 110mm x 50mm x 18mm

Weight: 55g

Uses: garage doors, motorcycles, car alarm products, home security products, wireless remote control products, industrial control products.

Usage:

Connect power line to terminals “+” and “-”. Connect DC motor to terminals “UP” and “DOWN”. You can exchange “UP” and “DOWN” lines of the motor to change rotating direction of the motor.

Press and hold button ▲ on remote or receiver: Terminals UP and DOWN output + DC12V / 24V (UP: +, DOWN: -), motor rotates continuously in positive direction.

Release button ▲ on remote or receiver: Stop the motor.

Press and hold button ▼ on remote or receiver: Terminals UP and DOWN output - DC12V / 24V (UP: -, DOWN: +), motor rotates continuously in reversal direction.

Release button ▼ on remote or receiver: Stop the motor.

Note: Button ■ on receiver is useless.

Learning the button of transmitter:

- 1) Press the button of receiver; signal LED on the receiver keeps shining. The receiver enters into status of LEARNING.
- 2) Press any one button on remote control. If signal LED flashes quickly 15 times and turns off, it means learning is successful.
- 3) When receiver is in the status of LEARNING, press again the button of receiver, signal LED turns off, learning process will be discontinued.

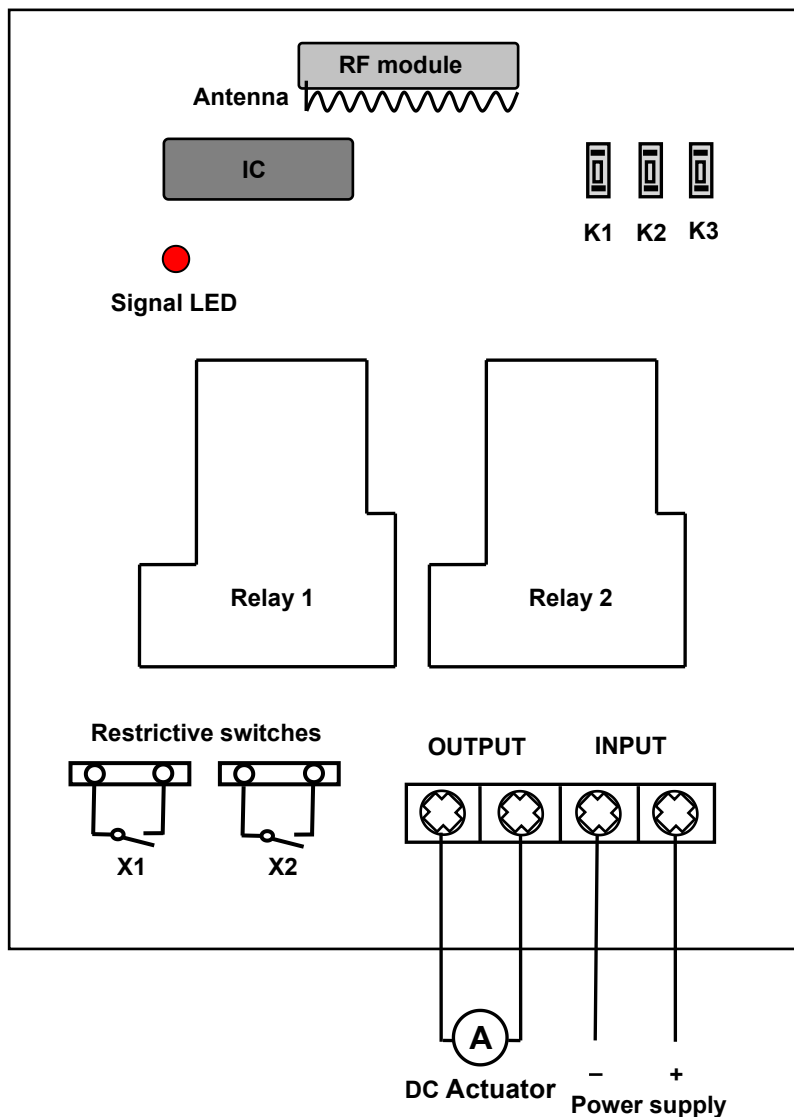
4) The receiver can learn several remote controls with different codes.

Delete the button of transmitter:

We have learned remote control to the receiver. If you don't want the receiver to work with the remote control, you can delete all codes of remote controls, which are stored in the receiver.

Operation: Press and hold the button of receiver until signal LED flashes slowly; release the button, LED keeps slow flash. That means all stored codes have been deleted successfully.

Application Circuit



12" / 300mm Stroke Heavy Duty Linear Actuator 100 Pound / 50KG Max Lift 12 Volt or 24 Volt DC

Application:

Mainly used for cars, lifting platforms, massage couches, electric beds, medical chairs, electric devices, micro-devices and so on. It can push, pull, lift and descend other devices.

Feature:

- High quality
- Generate linear motion
- DC motor activated
- Heavy duty design
- Low power consumption
- Low noise design
- Wiring included, pre-installed
- Identical extending or retracting
- Built-in clutch prevents over-extending and over-compressing

Specifications:

Working voltage: DC 12V or DC 24V

Extension: 12"/ 300mm

Compressed length from center of two mounting holes (shaft retracts completely): 16"/ 400mm

Extended Length from center of two mounting holes (shaft extends completely): 28"/ 700mm

Speed: 5mm±1mm /second, or 10mm±2mm /second, or 30mm±5mm /second

Max Load capacity: 100 Pound / 50 Kg at 5mm /second, or 60 Pound / 30 Kg at 10mm /second, or 40 Pound / 20 Kg at 30mm /second.

The linear actuator can get the maximum load capacity when it operates in the vertical direction.

Working current: 3A (you should choose a 6A power adapter to power this actuator, like our model 0010127)

Shaft diameter: 20mm

Mounting holes diameter: 6mm

Environment temperature: -26°C to 85°C

Noise level: lower than 42dB

IP rating: IP65

Weight: 1200g

Operation:

Extending or retracting movement

Moving direction can be changed by switching polarity.

