

## RF Wireless Remote Control Radio Controller / Transmitter & Receiver

### Package Include:

12 x Receiver: S1UB-DC06-ANT2 / S1UB-DC09-ANT2 / S1UB-DC12-ANT2 / S1UB-DC24-ANT2 (1 Channel / Three Control Modes)  
1 x Transmitter: CB-12  
1 x User manual

### Feature:

Wireless control, easy to install

Control Lights, Motors, Fans, electrically operated Doors / Locks / Windows / Blinds / Cars or Other Appliances with AC110~240V or DC0~28V.

You can turn on/off the receiver with transmitter (remote control) from any place within a reliable distance; the wireless RF signal can pass through walls, floors and doors.

With characteristics of reverse power protection and over current protection

Audible / visual indication

Use microcontroller model of EM78P156, an 8-bit microprocessor designed and developed with low-power and high-speed CMOS technology.

Reliable control: The transmitter (Encoding) and the receiver (Decoding) use an 8-bit code.

One/ several transmitters can control one/ several receivers simultaneously.

If you use two or more receivers in the same place, you can set them with different codes.

Transmitting Frequency: 315MHz / 433MHz

Working distance of transmitter and receiver with external extend antenna: 2000M / 6000ft (theoretically)

### Receiver:

Model No.: S1UB-DC06-ANT2 / S1UB-DC09-ANT2 / S1UB-DC12-ANT2 / S1UB-DC24-ANT2

Channel: 1 CH

Control Modes: Toggle, Momentary, Latched

Coding Type: Fixed code

Coding Setting: By learning

Power Supply (Operating Voltage): DC6V (S1UB-DC06-ANT2), DC12V±1V (S1UB-DC12-ANT2), DC9V±1V (S1UB-DC09-ANT2), DC24V±1V (S1UB-DC24-ANT2)

Working Voltage Range of Relay: AC110~240V or DC0~28V

PCB Size: 68mm x 48mm x 20mm

Case Size: 75mm x 55mm x 30mm

Static Current: ≤6mA

Maximum Working Current: 10A

### External Extend Antenna:

Frequency Range: 300~450MHz

Impedance: 50Ω

Antenna Length: 15cm

Cable Length: 150cm

Weight: 35g

Anti-interference, waterproof, shielded wire set inside

Magnetic stand design for easy to install

### Transmitter:

Model No.: CB-12

Channel: 12 CH

Remote Control Distance: 1000m / 3000ft (theoretically)

Encode: Fixed code by soldering

Unit size: 135mm x 42mm x 25mm

Power Supply: 1 x 6F22-9V battery (included, can be used for 12 months)

### Usage:

Setting different control modes (We have set the receiver as Toggle control mode before delivery. If you want to use other control modes, do as following operation):

Setting control mode Toggle: Connect Jumper-2.

Control mode Toggle: Press -> On; Press again -> Off.

Press button 1: Turn on Receiver 1 (connect B and C, disconnect A and B)

Press button 1 again: Turn off Receiver 1 (disconnect B and C, connect A and B)

...

Press button 12: Turn on Receiver 12 (connect B and C, disconnect A and B)

Press button 12 again: Turn off Receiver 12 (disconnect B and C, connect A and B)

Setting control mode Momentary: Connect Jumper-1.

Control mode Momentary: Press and hold -> On; Release -> Off.

Press and hold button 1: Turn on Receiver 1 (connect B and C, disconnect A and B)

Release button 1: Turn off Receiver 1 (disconnect B and C, connect A and B)

...

Press and hold button 12: Turn on Receiver 12 (connect B and C, disconnect A and B)

Release button 12: Turn off Receiver 12 (disconnect B and C, connect A and B)

Setting control mode Latched: Disconnect Jumper-1 and Jumper-2.

Control mode Latched: Press -> On, other relays Off; Press another button -> Off.

Press button 1: Turn on Receiver 1 (connect B and C, disconnect A and B)

Press other button: Turn off Receiver 1 (disconnect B and C, connect A and B)

...

Press button 12: Turn on Receiver 12 (connect B and C, disconnect A and B)

Press other button: Turn off Receiver 12 (disconnect B and C, connect A and B)

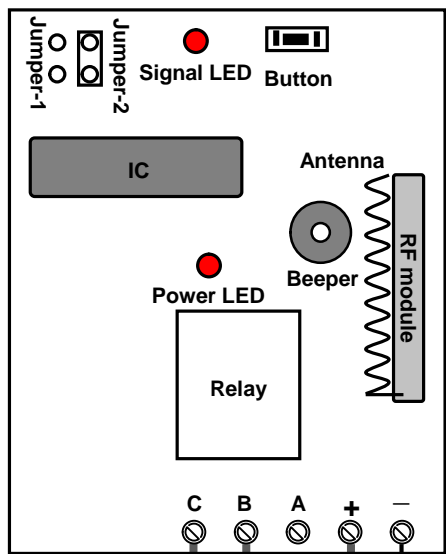
We have learned remote control to the receiver. If you don't want the receiver to work with the remote control, you can delete all codes of remote controls, which are stored in the receiver.

Operation: Press and hold the button of receiver until signal LED flashes slowly; release the button, LED keeps slow flash. That means all stored codes have been deleted successfully.

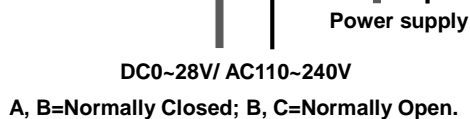
LEARNING the remote control:

- 1) Press the button of receiver; signal LED on the receiver keeps shining. The receiver enters into status of LEARNING.
- 2) Press any one button on remote control. If signal LED flashes quickly 15 times and turns off, it means learning is successful.
- 3) Press any button on the transmitter; the receiver will learn the corresponding button on the transmitter.
- 4) When receiver is in the status of LEARNING, press again the button of receiver, signal LED turns off, it means learning process is discontinued.
- 5) The receiver can learn several remote controls with different codes.

### Interior Analogue Circuit



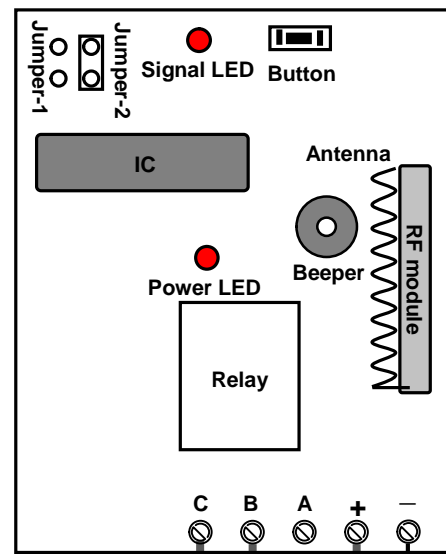
### Application Circuit



DC0-28V/ AC110-240V

A, B=Normally Closed; B, C=Normally Open.

### Application: For DC12V motor or lamp



Power supply