

## RF Wireless Remote Control Radio Controller / Transmitter & Receiver

### Package Include:

1 x Receiver: S2XM-DC06 / S2XM-DC09 / S2XM-DC12 / S2XM-DC24 (2 Channel / Momentary Control Mode)  
2 x Transmitter: C-2  
1 x User manual

### Feature:

Wireless control, easy to install

Direct power output; control Lights, Motors, Fans, electrically operated Doors/Locks/Windows/Blinds/Cars or Other Appliances.

You can turn on/off the receiver with transmitter (remote control) from any place within a reliable distance; the wireless RF signal can pass through walls, floors and doors.

With characteristics of reverse power protection and over current protection

Audible / visual indication

Use microcontroller model of EM78P156, an 8-bit microprocessor designed and developed with low-power and high-speed CMOS technology.

Reliable control: The transmitter (Encoding) and the receiver (Decoding) use an 8-bit code.

One/several transmitters can control one/several receivers simultaneously.

If you use two or more receivers in the same place, you can set them with different codes.

Transmitting Frequency: 315MHz / 433MHz

### Receiver:

Model No.: S2XM-DC06 / S2XM-DC09 / S2XM-DC12 / S2XM-DC24

Channel: 2 CH

Control Mode: Momentary (Press and hold -> On; Release -> Off)

Coding Type: Fixed code

Coding Setting: By learning

Power Supply (Operating Voltage): DC6V (S2XM-DC06), DC12V±1V (S2XM-DC12), DC9V±1V (S2XM-DC09), DC24V±1V (S2XM-DC24)

Output: DC6V (S2XM-DC06), DC12V (S2XM-DC12), DC9V (S2XM-DC09), DC24V (S2XM-DC24)

PCB size: 67mm x 50mm x 18mm

Case size: 75mm x 54mm x 27mm

Static Current: ≤6Ma

Maximum Working Current: 10A / each channel

### Transmitter:

Model No.: C-2

Channel: 2 CH

Remote Control Distance: 100m / 300ft (theoretically)

Encode: Fixed code by soldering

Unit size: 58mm x 39mm x 16mm

Power Supply: 1 x 23A -12V battery (included, can be used for 12 months)

### Usage:

Press and hold button 1: Turn on the relay 1, terminal OUT 1 (A&B) output DC power.

Release the button: Turn off the relay 1, terminal OUT 1 no output.

Press and hold button 2: Turn on the relay 2, terminal OUT 2 (A&B) output DC power.

Release the button: Turn off the relay 2, terminal OUT 2 no output.

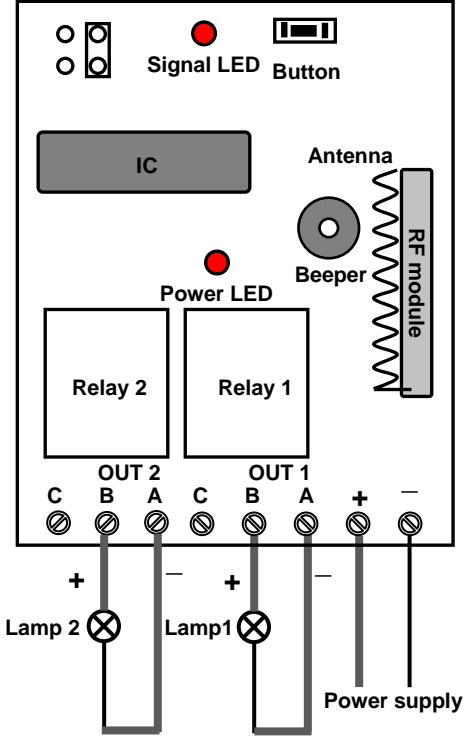
We have learned remote control to the receiver. If you don't want the receiver to work with the remote control, you can delete all codes of remote controls, which are stored in the receiver.

Operation: Press and hold the button of receiver until signal LED flashes slowly; release the button, LED keeps slow flash. That means all stored codes have been deleted successfully.

Learning the button of remote control:

- 1) Press the button of receiver; signal LED on the receiver keeps shining. The receiver enters into status of LEARNING.
- 2) Press any one button on remote control. If signal LED flashes quickly 15 times and turns off, it means learning is successful.
- 3) When receiver is in the status of LEARNING, press again the button of receiver, signal LED turns off, learning process will be discontinued.
- 4) The receiver can learn several remote controls with different codes.

**Interior Analogue Circuit**



**Application Circuit**