

RF Wireless Remote Control Radio Controller / Transmitter & Receiver

Package Include:

1 x Receiver: S2U-AC220 (2 Channel / 4 Control Modes)
2 x Transmitter: C-2
1 x User manual

Feature:

Wireless control, easy to install

Control Lights, Motors, Fans, electrically operated Doors/Locks/Windows/Blinds/Cars or Other Appliances with voltage AC 110~240V or DC 0~28V.

Universal input: support voltage of AC110V (100V~120V), widely used in US, Canada... and voltage of AC220V (200V~240V), used in UK, France...

You can turn on/off the receiver with transmitter (remote control) from any place within a reliable distance; the wireless RF signal can pass through walls, floors and doors.

With characteristics of over current protection, short-circuit protection and temperature protection.

Audible / visual indication

Use microcontroller model of EM78P156, an 8-bit microprocessor designed and developed with low-power and high-speed CMOS technology.

Reliable control: The transmitter (Encoding) and the receiver (Decoding) use an 8-bit code.

One/several transmitters can control one/several receivers simultaneously.

If you use two or more receivers in the same place, you can set them with different codes.

Transmitting Frequency: 315MHz / 433MHz

Receiver:

Model No.: S2U-AC220

Channel: 2 CH

Control Modes: Toggle, Momentary, Latched, Momentary + Toggle

Coding Type: Fixed code

Coding Setting: By learning

Power Supply (Operating Voltage): AC100~240V

Working Voltage Range of Relay: AC 110~240V or DC 0~28V

PCB size: 74mm x 52mm x 24mm

Case size: 79mm x 58mm x 35mm

Maximum Working Current: 10A / each channel

Transmitter:

Model No.: C-2

Channel: 2 CH

Remote Control Distance: 100m / 300ft (theoretically)

Encode: Fixed code by soldering

Unit size: 58mm x 39mm x 16mm

Power Supply: 1 x 23A -12V battery (included, can be used for 12 months)

Usage:

Setting different control modes (We have set the receiver as Toggle control mode before delivery. If you want to use other control modes, do as following operation):

Setting control mode Toggle: Only connect Jumper-2.

Control mode Toggle: Press -> On; Press again -> Off.

Press button 1: Turn on relay 1 (connect B and C, disconnect A and B)

Press button 1 again: Turn off relay 1 (disconnect B and C, connect A and B)

Press button 2: Turn on relay 2 (connect B and C, disconnect A and B)

Press button 2 again: Turn off relay 2 (disconnect B and C, connect A and B)

Setting control mode Momentary: Only connect Jumper-1.

Control mode Momentary: Press and hold -> On; Release -> Off.

Press and hold button 1: Turn on relay 1 (connect B and C, disconnect A and B)

Release button 1: Turn off relay 1 (disconnect B and C, connect A and B)

Press and hold button 2: Turn on relay 2 (connect B and C, disconnect A and B)

Release button 2: Turn off relay 2 (disconnect B and C, connect A and B)

Setting control mode Latched: Do not connect Jumper-1 and Jumper-2.

Control mode Latched: Press -> On, another relay Off; Press another button -> Off.

Press button 1: Turn on relay 1 (connect B and C, disconnect A and B)

Turn off relay 2 (disconnect B and C, connect A and B)

Press button 2: Turn on relay 2 (connect B and C, disconnect A and B)

Turn off relay 1 (disconnect B and C, connect A and B)

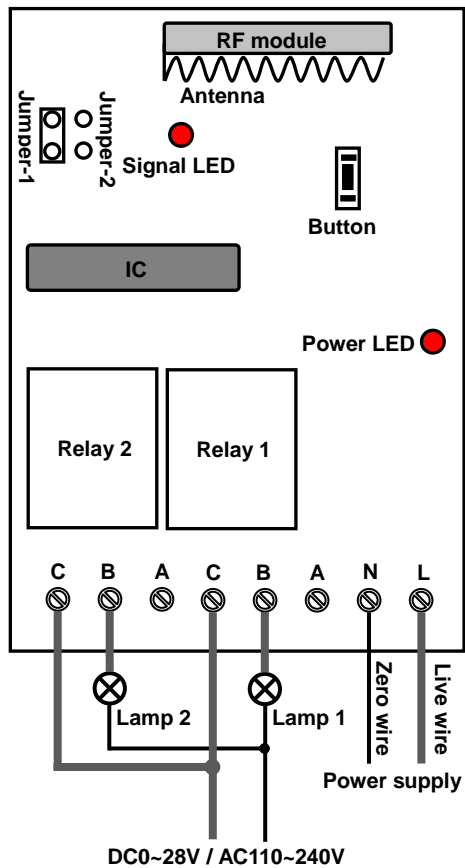
Setting control mode Momentary + Toggle: Connect Jumper-1 and Jumper-2.

Control mode Momentary (Channel 1): Press and hold -> On; Release -> Off.
 Press and hold button 1: Turn on relay 1 (connect B and C, disconnect A and B)
 Release button 1: Turn off relay 1 (disconnect B and C, connect A and B)
 Control mode Toggle (Channel 2): Press -> On; Press again -> Off.
 Press button 2: Turn on relay 2 (connect B and C, disconnect A and B)
 Press button 2 again: Turn off relay 2 (disconnect B and C, connect A and B)

We have learned remote control to the receiver. If you don't want the receiver to work with the remote control, you can delete all codes of remote controls, which are stored in the receiver.
 Operation: Press and hold the button of receiver until signal LED flashes slowly; release the button, LED keeps slow flash. That means all stored codes have been deleted successfully.

- Learning the button of remote control:
- 1) Press the button of receiver; signal LED on the receiver keeps shining. The receiver enters into status of LEARNING.
 - 2) Press any one button on remote control. If signal LED flashes quickly 15 times and turns off, it means learning is successful.
 - 3) When receiver is in the status of LEARNING, press again the button of receiver, signal LED turns off, learning process will be discontinued.
 - 4) The receiver can learn several remote controls with different codes.

Application Circuit



A, B=Normally Closed; B, C=Normally Open.

Application: For AC motor or lamp

