

RF Wireless Receiver (Model 0020277)

Feature:

Wireless control, easy to install

Relay output, can control Lights, Motors, Fans, electrically operated Doors/Locks/Windows/Blinds/Cars or Other Appliances with AC110-240V or DC 0~28V.

You can turn on/off the receiver with transmitter (remote control) from any place within a reliable distance; the wireless RF signal can pass through walls, floors and doors.

With characteristics of reverse power protection and over current protection

Use an 8-bit microprocessor designed and developed with low-power and high-speed CMOS technology.

Reliable control: The transmitter (Encoding) and the receiver (Decoding) use an 8-bit code.

One/several transmitters can control one/several receivers simultaneously.

If you use two or more units in the same place, you can set them with different codes.

Receiver Parameters:

Model No.: S1SM-DC06 / S1SM-DC09 / S1SM-DC12 / S1SM-DC24

Power Supply (Operating Voltage): DC6V (S1SM-DC06), DC9V±1V (S1SM-DC09), DC12V±1V (S1SM-DC12), DC24V±1V (S1SM-DC24)

Working Frequency: 315MHz / 433MHz

Channel: 1 CH

Control Modes: Momentary (Press and hold -> On; Release -> Off)

Output: Relay output (Normally open and normally closed)

Working Voltage Range of Relay: AC110~240V or DC0~28V

Maximum Working Current of Relay: 1A / each channel

Static Current: ≤6mA

PCB size: 45mm x 28mm x 20mm

Work with Fixed code transmitters

The receiver can pair different model transmitters, includes model C-1 (100M), CWB-1 (50M, waterproof), CP-1 (500M) and CB-1 (1000M) etc...

If you want to have a further working range, you can install an external antenna to the receiver, such as magnetic mount antenna (model 0020909), which working range is three times as much as it used to be. Or telescopic antenna (model 0020908), which working range is twice as much as it used to be.

Usage (with the transmitter):

Connect DC power to terminal "+" and "-".

Initial state of relay output terminals: Terminals NO and COM are Normally Open; Terminals NC and COM are Normally Closed.

1) Press and hold the button on the transmitter: Turn on relay (connect terminals COM and NO, disconnect terminals COM and NC)

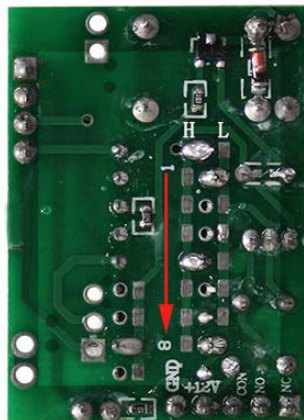
2) Release the button: Turn off relay (disconnect terminals COM and NO, connect terminals COM and NC)

How to pair the transmitter to the receiver:

Set the same code on the receiver according to the transmitter.

How to set up the 8-bits code of the receiver:

1. Open the receiver shell, then you will see the circuit board. There are two rows pads and one row of chip feet on the back side.
2. The right row of pads is "L" side, and the left row of pads is "H" side.
3. If solder the middle row of chip feet to the "L" side, it is code 1. If solder the middle row of chip feet to the "H" side, it is code 2. Don't solder to any side, it is code 0.
4. The 8-bits code order is from top to bottom (from D1 to D8).
5. Here is an example, the 8-bits code in the picture is 21002001, solder as the following way:
6. Code 0: don't solder any side, like D3, D4, D6, D7.
7. Code 1: solder to the "L" side, like D2, D8.
8. Code 2: solder to the "H" side, like D1, D5.

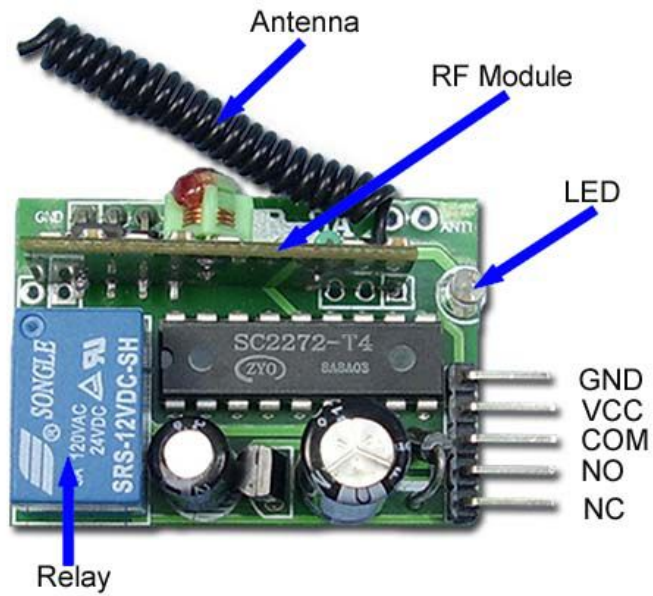


Code:21002001

H L
□ □ □
Code:0

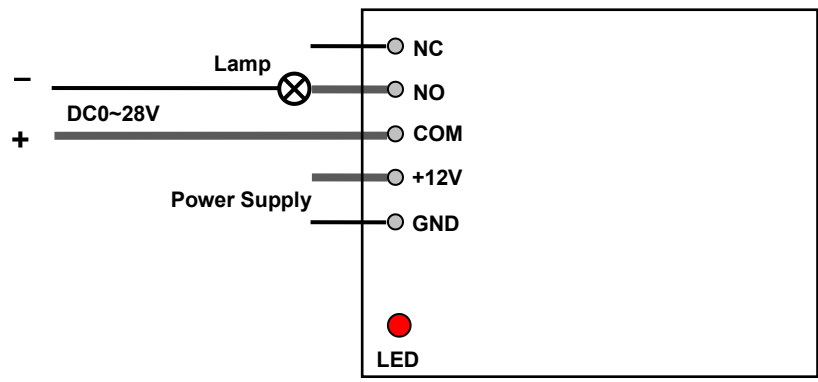
H L
□ □ □
Code:1

H L
□ □ □
Code:2

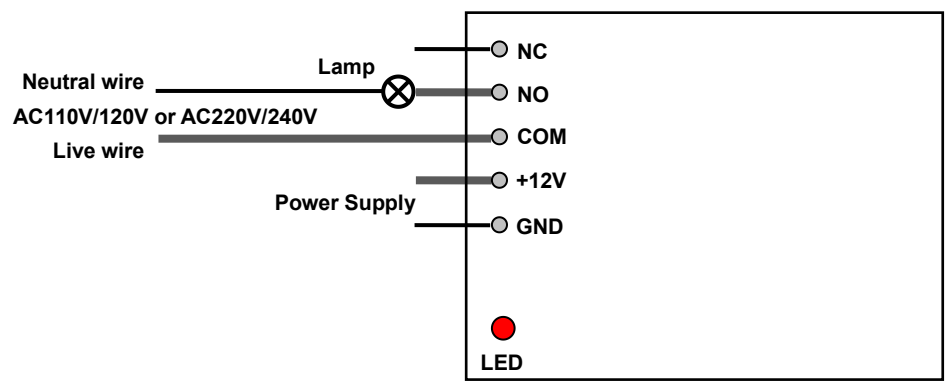


NC=Normally Closed; NO=Normally Open.

Control DC Equipment



Control AC Equipment



1 Button 100M RF Remote Control / Transmitter With Sliding Cover

Product Description:

Model No.: 0021000 (C-1)

With Sliding Cover: Slide up when it doesn't work (to protect the button). Slide down the button will appear.

Shell Color: Wood Color / White

Channel/Button: 1

Button Symbol: no symbol

Operating Voltage: 12V (1 x 23A -12V battery, can be used for 12 months)

Operating Current: 6mA

Operating Frequency: 315Mhz / 433Mhz

Encoding Chip: PT2262 / PT2264 / SC2262

Encoding Type: Fixed code by soldering, up to 6561 codes

Transmitting Distance: 100m / 300ft (theoretically)

The distance of 100m is a theoretical data, it shall be operated in an open ground, no barriers, no any interference. But in the practice, it will be hindered by trees, walls or other constructions, and will be exposed to some interference by other signals. Therefore, the actual distance may or may not reach 100m.

If you stretches the telescopic antenna, it can have a further working range, which is twice as much as it used to be.

Modulation Mode: ASK

Operating Temperature: -20 ° C to +70 ° C

Unit Size: 58mm x 39mm x 16mm

Weight: 30g

Uses: garage doors, motorcycles, car alarm products, home security products, wireless remote control products, industrial control products.

How to set up the 8-bits code of the transmitter:

9. Open the transmitter shell, then you will see the circuit board. There are two rows pads and one row of chip feet on the back side.

10. The upper row of pads is "L" side, and the lower row of pads is "H" side.

11. If solder the middle row of chip feet to the "L" side, it is code 1. If solder the middle row of chip feet to the "H" side, it is code 2. Don't solder to any side, it is code 0.

12. The 8-bits code order is from left to right (from D1 to D8).

13. Here is an example, the 8-bits code in the picture is 01121101, solder as the following way:

14. Code 0: don't solder any side, like D1 and D7.

15. Code 1: solder to the "L" side, like D2, D3, D5, D6, D8.

16. Code 2: solder to the "H" side, like D4.

