

RF Wireless Remote Control Radio Controller / Transmitter & Receiver

Package Include:

1 x Receiver: S2PU-AC380
1 x Transmitter: CG-3
2 x Contactor: 0040008 (380V)
1 x User manual

Feature:

Application: It can be used in rolling blinds, rolling doors, projection screens, awnings, pumps, winches, conveyors or other appliances and equipments with AC motors, it can remote control AC motor rotates in the positive or reversal direction.

Wireless control, easy to install.

You can rotate a motor separately in the positive or reversal direction with the transmitter (remote control) from any place within a reliable distance.

High Power: Each channel can work at maximum current 30A.

You can turn on/ off the receiver with transmitter (remote control) from any place within a reliable distance.

Wireless RF signal can pass through walls, floors, doors or windows.

With reverse power protection and over current protection.

Reliable control: The receiver only works with the transmitter which use same code.

One/several transmitters can control one/several receivers simultaneously.

You can use two or more units in the same place.

Receiver Parameters:

Model No.: S2PU-AC380

Power Supply (Operating Voltage): AC220V~380V

Output: Relay output (Normally open and normally closed)

Working Frequency: 315MHz / 433MHz

Channel: 2 CH, only can control a AC220V~380V three-phase motor

Control Modes: Latched, Momentary

Static Current: $\leq 6\text{mA}$

Maximum Working Current: 30 A / each channel

PCB size: 94 mm x 56mm x 24 mm

Case size: 100mm x 60.5 mm x 30mm

Transmitter Parameters:

Model No.: 0021057 (CG-3)

With Wall Mounted Support

Shell Color: Grey

Channel/Button: 3

Button Symbol: ▲, ■, ▼

Operating Voltage: 12V (1 x 27A -12V battery, can be used for 12 months)

Operating Current: 8mA

Operating Frequency: 315Mhz / 433Mhz

Encoding Chip: SC2262

Encoding Type: Fixed code by soldering, up to 6561 codes

Transmitting Distance: 500m / 1500ft (theoretically)

Modulation Mode: ASK

Operating Temperature: -20 ° C to +70 ° C

Unit Size: 84mm x 30mm x 10mm

Fixing Bracket size: 87mm x 63mm x 10mm

Matching Transmitters:

The receiver can work with different transmitters, such as model C-3-2 (100M), CWB-3 (50M, waterproof), CP-4 (500M), CB-3 (1000M) etc.

Working Range:

With a transmitter (such as CG-3) to form a complete set, the maximum working distance can reach 500M in an open ground.

The maximum working distance is a theoretical data, it shall be operated in an open ground, no barriers, no any interference. But in the practice, it will be hindered by trees, walls or other constructions, and will be interfered by other wireless signals. Therefore, the actual distance may not reach this maximum working distance.

If you want to have a further working range, you can install an external antenna to the receiver, and you also can use a powerful transmitter, such as CB series transmitters.

Contacter Parameters:

Model No.: 0040008

Three main contact: All Normally Open

One auxiliary contact: Normally Open

Contact: Silver

Max. Current: 25A

Contact Rating: 380V/25A/11KW

Control (Coil) Voltage: 380VAC

Dimensions: 57mm x 86mm x 97mm, or 2-1/4" (W) x 3-2/5" (D) x 3-4/5" (H)

Mounting Method: 35mm DIN Rail or Screw On

Usage (with the transmitter CG-3):

Notice: The receiver is relay output, not DC/AC power output. Initial state of relay output terminals: Terminals NO and COM are Normally Open; Terminals NC and COM are Normally Closed.

The receiver can control AC 380V equipment by the contactor, but it can't directly connected to the 380V equipment.

Wiring:

If you want to control a AC 380V motor, you can connect the receiver, the 380V contactor, the 380V motor and the 380V power according following circuit diagram, then you use the transmitter to control the AC 380V motor.

Setting different control modes:

1) Setting control mode Latched Turn on 1of the dip switch: Turn 1 of the dip switch to ON, 2 not to ON.

Press button ▲ of the transmitter, the contactor 1 is connected, the 380V motor rotates in the positive direction.

Press button ■ of the transmitter, the contactor 1 is disconnected , 380V motor stops.

Press button ▼ of the transmitter, the contactor 2 is connected, the 380V motor rotates in the reversal direction.

Press button ■ of the transmitter, the contactor 2 is disconnected, 380V motor stops.

2) Setting control mode Momentary: Turn 1 and 2 of the dip switch not to ON.

Press and hold button ▲ of the transmitter, the contactor 1 is connected, the 380V motor rotates in the positive direction.

Release button ▲, the contactor 1 is disconnected, the 380V motor stops.

Press and hold button ▼ of the transmitter, the contactor 2 is connected, the 380V motor rotates in the reversal direction.

Release button ▼, the contactor 2 is disconnected, the 380V motor stops.

Manual button:

Press button ▲ of the receiver, the contactor 1 is connected, the 380V motor rotates in the positive direction.

Press button ■ of the receiver, the contactor 1 is disconnected, 380V motor stops.

Press button ▼ of the receiver, the contactor 2 is connected, the 380V motor rotates in the reversal direction.

Press button ■ of the receiver , the contactor 2 is disconnected, 380V motor stops.

Learning the button of remote control:

1) Press the learning button of the receiver for 1- 2 seconds, release the button, lights on. The receiver enters into status of LEARNING.

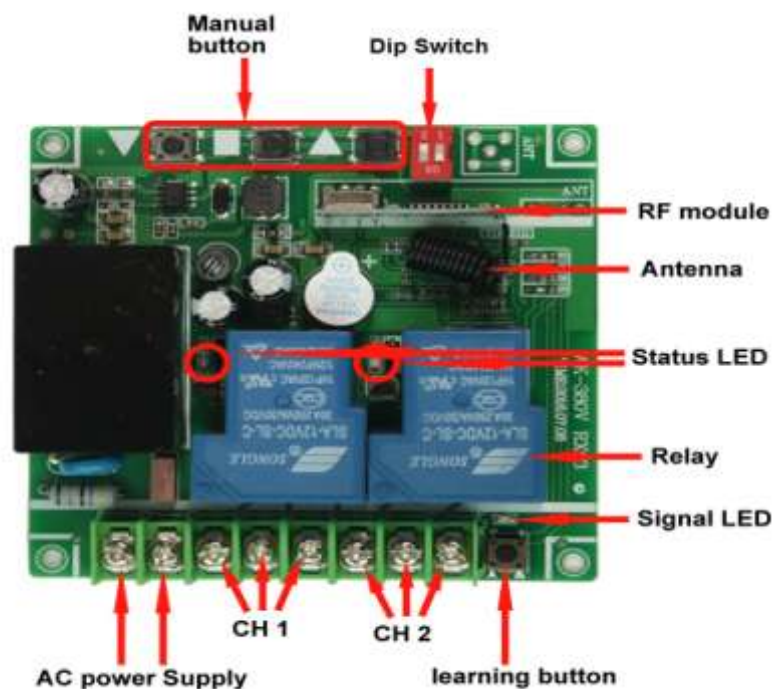
2) Within 4 seconds, press any button on transmitter. If lights flash three times and lights off, it means learning is successful.

3) The receiver can learn several remote controls with different codes.

Delete all transmitters:

We have learned remote control to the receiver. If you don't want the receiver to work with the remote control, you can delete all codes of remote controls, which are stored in the receiver.

Operation: Pressing learning buttons on the receiver until the signal light from on to flash end to off, release the button. That means all stored codes have been deleted successfully.



Circuit Diagram

