

## RF Wireless Receiver (Model 0020050)

### Feature:

Wireless control, easy to install

Waterproof case and waterproof connector.

AC power output, can control Lights, Motors or Other Appliances with AC 12V~AC24V.

You can turn on/off the receiver with transmitter (remote control) from any place within a reliable distance; the wireless RF signal can pass through walls, floors and doors.

With characteristics of reverse power protection and over current protection

Use an 8-bit microprocessor designed and developed with low-power and high-speed CMOS technology.

Reliable control: The transmitter (Encoding) and the receiver (Decoding) use an 8-bit code.

One/several transmitters can control one/several receivers simultaneously.

If you use two or more units in the same place, you can set them with different codes.

### Receiver Parameters:

Model No.: S2X-AC12

Power Supply (Operating Voltage): AC12V~AC24V

Working Frequency: 315MHz / 433MHz

Channel: 2 CH

Control Modes: Toggle, Momentary, Latched, Toggle+ Momentary

Output: AC12V~AC24V

Maximum Working Current of Relay: 10A

Static Current: ≤6mA

PCB size: 67mm x 50mm x 18mm

Case size: 75mm x 54mm x 27mm

Waterproof shell size: 115mm x 90mm x 55mm

Work with Fixed code transmitters or Learning code transmitters.

The receiver can pair different model transmitters, includes model C-2 / C-3 (100M), CWB-2 / CWB-3 (50M, waterproof), CP-2 (500M) and CB-2 / CB-3 (1000M) etc...

If you want to have a further working range, you can install an external antenna to the receiver, such as magnetic mount antenna with SMA connector (model 0020910), which working range is three times as much as it used to be. Or telescopic antenna with SMA connector (model 0020918), which working range is twice as much as it used to be.

### Usage (with the transmitter like C-2):

Connect AC power to terminal "L" and "N".

1) Setting control mode Toggle: Only connect Jumper-2.

Press button 1: Terminal OUT 1 outputs AC power.

Press button 1 again: Terminal OUT 1 no output.

Press button 2: Terminal OUT 2 outputs AC power.

Press button 2 again: Terminal OUT 2 no output.

2) Setting control mode Momentary: Only connect Jumper-1.

Press and hold button 1: Terminal OUT 1 outputs AC power.

Release button 1: Turn off terminal OUT 1 no output.

Press and hold button 2: Terminal OUT 2 outputs AC power.

Release button 2: Turn off terminal OUT 2 no output.

3) Setting control mode Latched: Do not connect Jumper-1 and Jumper-2.

Press button 1: Terminal OUT 1 outputs AC power.

Turn off terminal OUT 2 no output.

Press button 2: Terminal OUT 2 outputs AC power.

Turn off terminal OUT 1 no output.

4) Setting control mode Toggle + Momentary: Connect Jumper-1 and Jumper-2.

Control mode Toggle (Channel 1):

Press button 1: Terminal OUT 1 outputs AC power.

Press button 1 again: Terminal OUT 1 no output.

Control mode Momentary (Channel 2):

Press and hold button 2: Terminal OUT 2 outputs AC power.

Release button 2: Terminal OUT 2 no output.

### How to pair the transmitter to the receiver:

1) Press the button of receiver; signal LED on the receiver keeps shining. The receiver enters into status of LEARNING.

2) Press any one button on remote control. If signal LED flashes quickly 15 times and turns off, it means learning is successful.

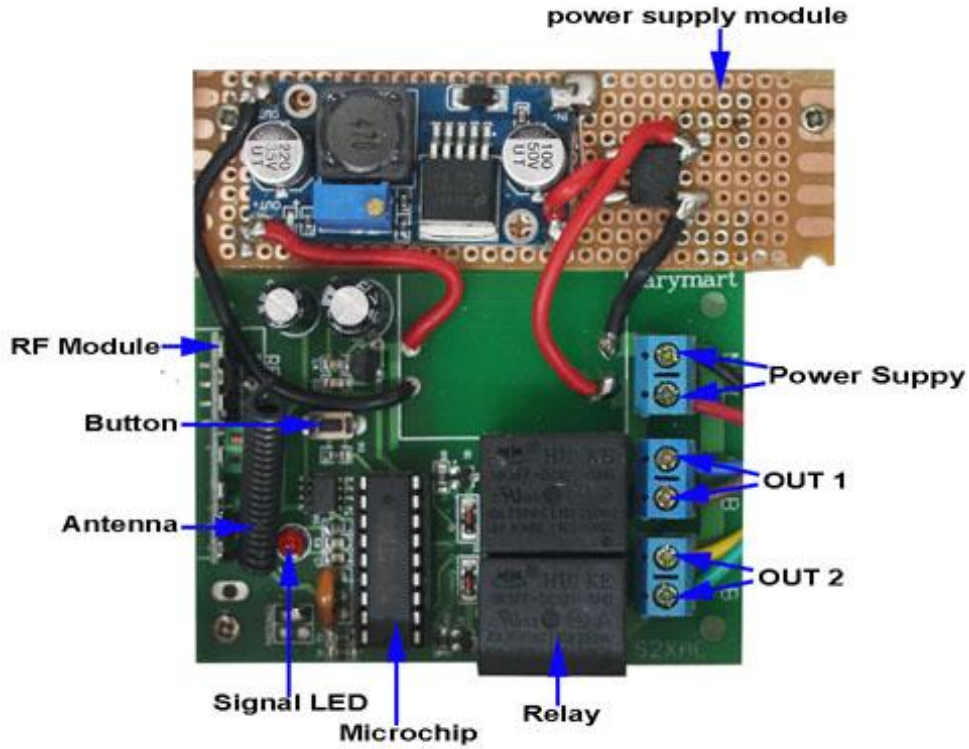
3) When receiver is in the status of LEARNING, press again the button of receiver, signal LED turns off, learning process will be discontinued.

4) The receiver can learn several remote controls with different codes.

**Delete all transmitters:**

We have learned remote control to the receiver. If you don't want the receiver to work with the remote control, you can delete all codes of remote controls, which are stored in the receiver.

Operation: Press and hold the button of receiver until signal LED flashes slowly; release the button, LED keeps slow flash. That means all stored codes have been deleted successfully.



**Control AC Equipment**

