

RF Wireless Remote Control Radio Controller / Transmitter & Receiver

Package Include:

- 1 x Receiver: S1D-DC06 / S1D-DC09 / S1D-DC12 / S1D-DC24 (1 Channel / Delay Control Mode / DC12V)
- 2 x Transmitter: C-1
- 1 x User manual

Feature:

- Wireless control, easy to install.
- Adjustable delay time: 2~40 seconds
- Control Lights, Motors, Fans, electrically operated Doors/Locks/Windows/Blinds/Cars or Other Appliances with voltage AC110~240V or DC0~28V.
- You can turn on/off the receiver with transmitter (remote control) from any place within a reliable distance; the wireless signal can pass through walls, floors and doors.
- Reliable control: The transmitter (Encoding) and the receiver (Decoding) use an 8-bit code.
- One/several transmitters can control one/several receivers simultaneously.
- If you use two or more receivers in the same place, you can set them with different codes.
- Transmitting Frequency: 315MHz / 433MHz

Receiver:

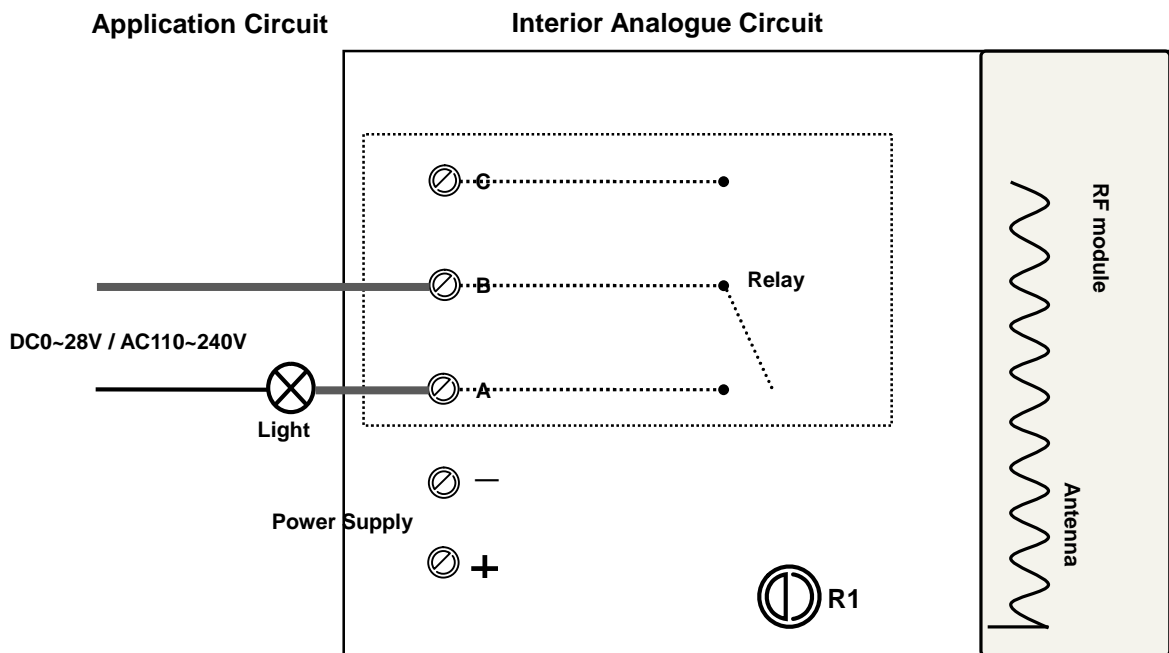
- Model No.: S1D-DC06 / S1D-DC09 / S1D-DC12 / S1D-DC24
- Channel: 1 CH
- Control Mode: Delay (Press -> ON; after delay time -> OFF)
- Coding Type: Fixed code
- Coding Setting: By soldering
- Power Supply (Operating Voltage): DC6V (S1D-DC06), DC12V±1V (S1D-DC12), DC9V±1V (S1D-DC09), DC24V±1V (S1D-DC24)
- Working Voltage Range of Relay: AC110~240V or DC0~28V
- PCB size: 44mm x 32mm x 20mm
- Case size: 75mm x 55mm x 30mm
- Maximum Working Current: 5A

Transmitter:

- Model No.: C-1
- Channel: 1 CH
- Remote Control Distance: 100m / 300ft (theoretically)
- Encode: Fixed code by soldering
- Unit size: 58mm x 39mm x 16mm
- Power Supply: 1 x 23A -12V battery (included, can be used for 12 months)

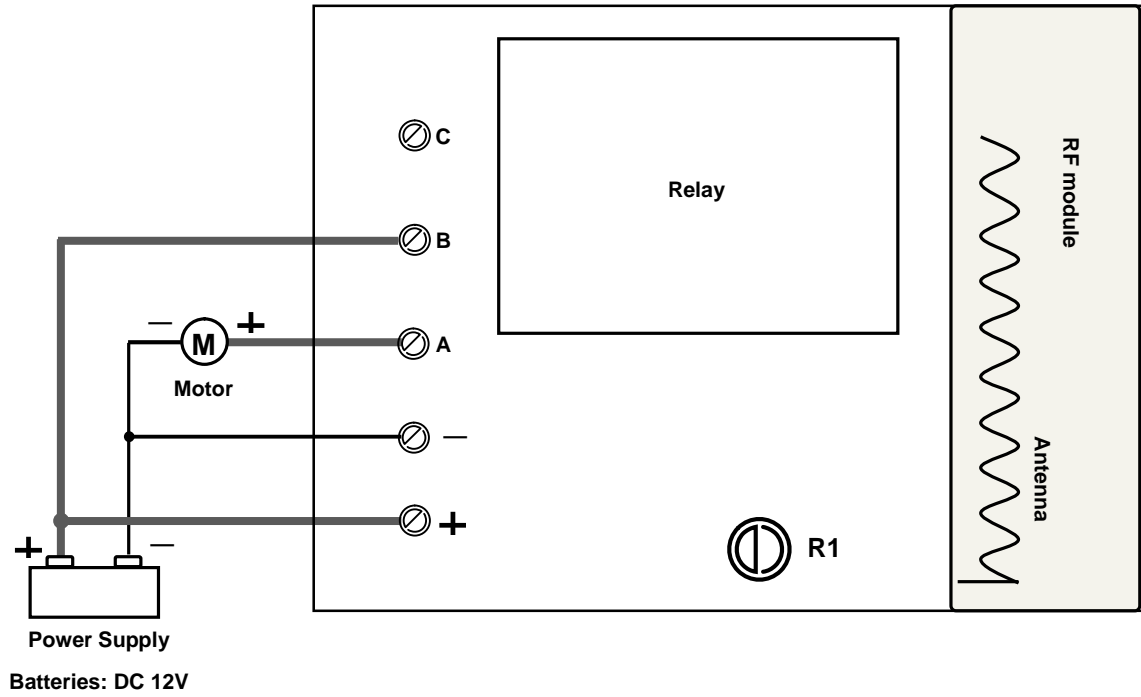
Usage:

- Initial state: A, B = Normally Open; B, C = Normally Closed.
- 1) Press button: Turn on relay (connect A and B, disconnect B and C)
- 2) After 2~40 seconds delay time: Turn off relay by itself (disconnect A and B, connect B and C)
- 3) Turn R1 clockwise to prolong the delay time. Turn R1 anti-clockwise to shorten the delay time.



A, B=Normally Open; B, C=Normally Closed.

Application 1: For DC12V motor or lamp



Application 2: For AC220V lamp

